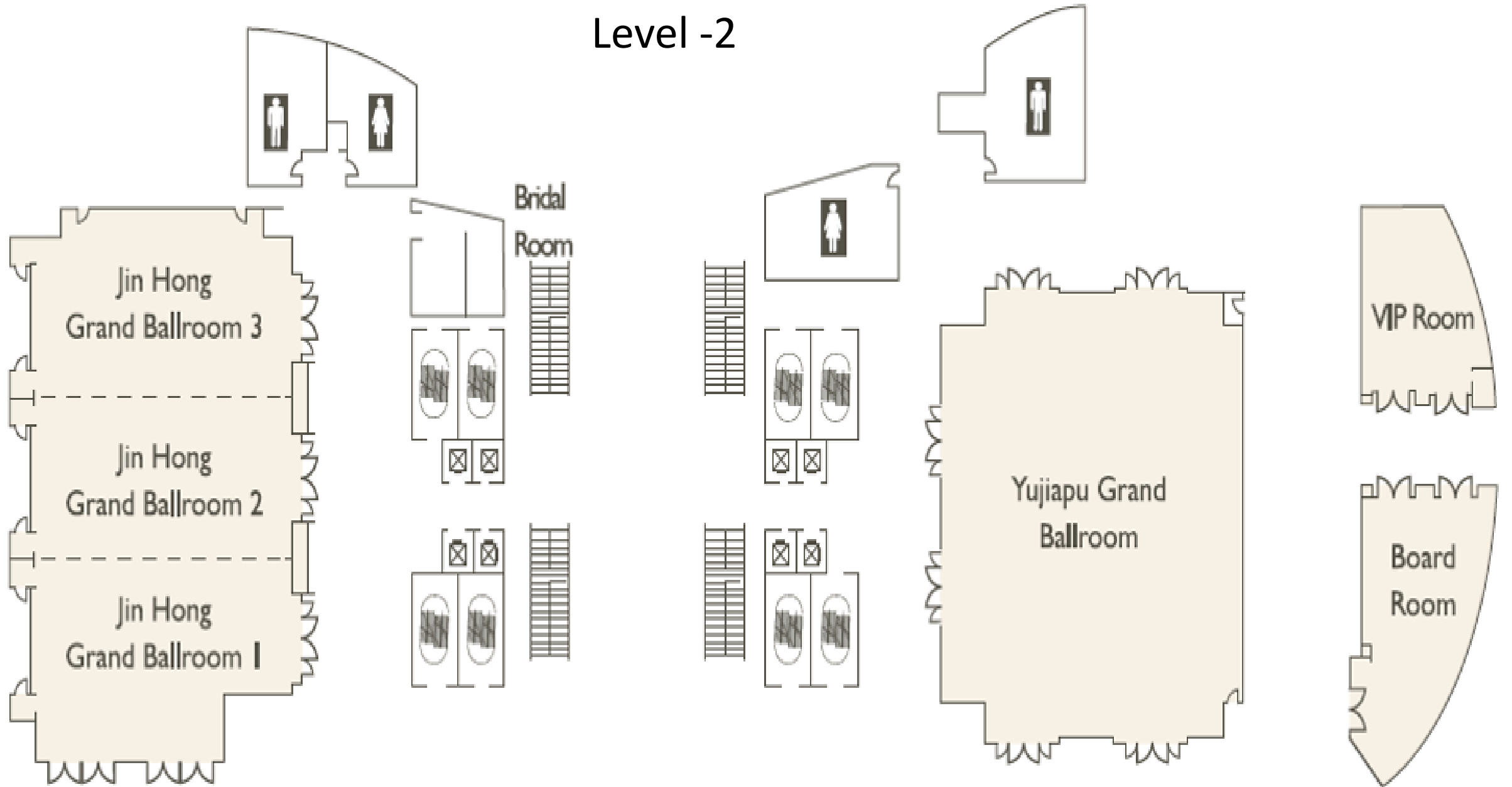
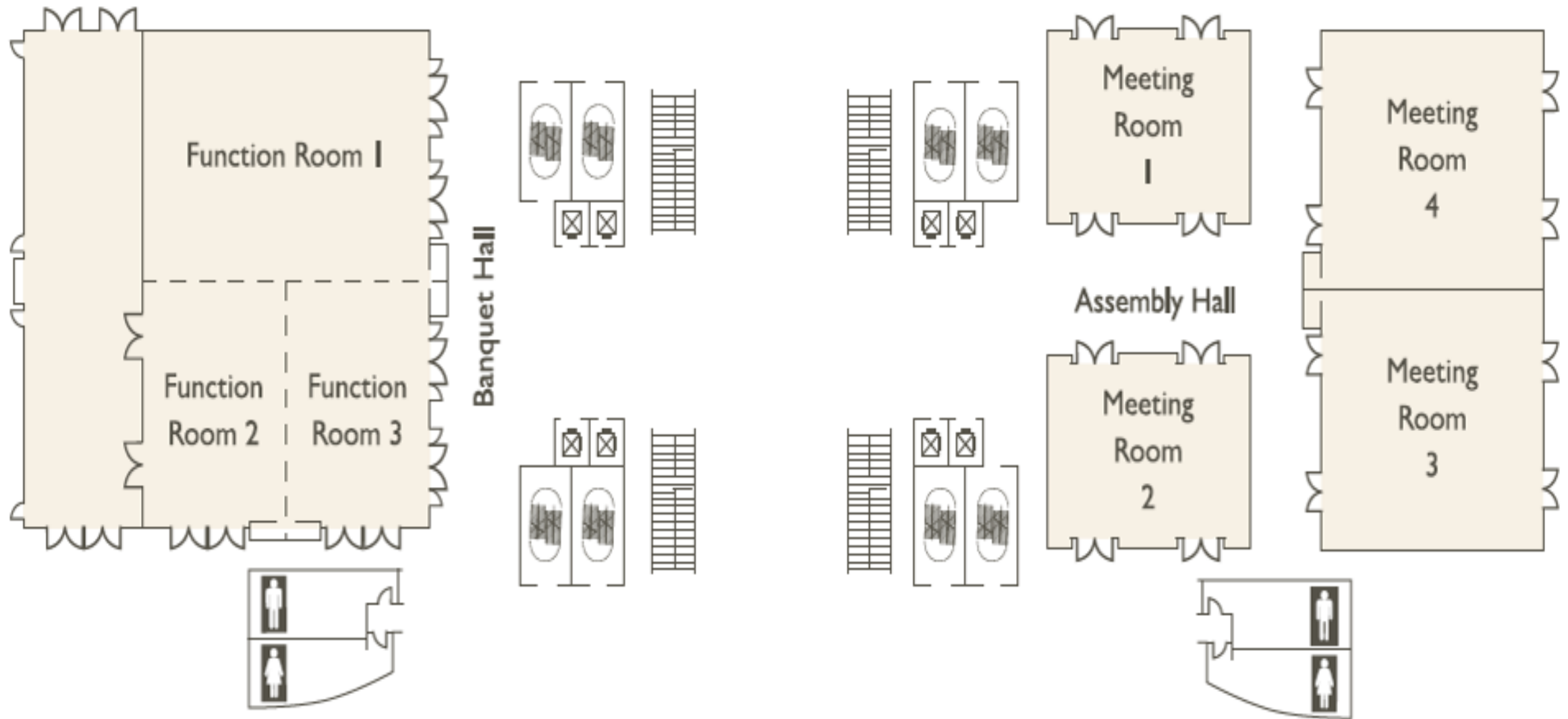


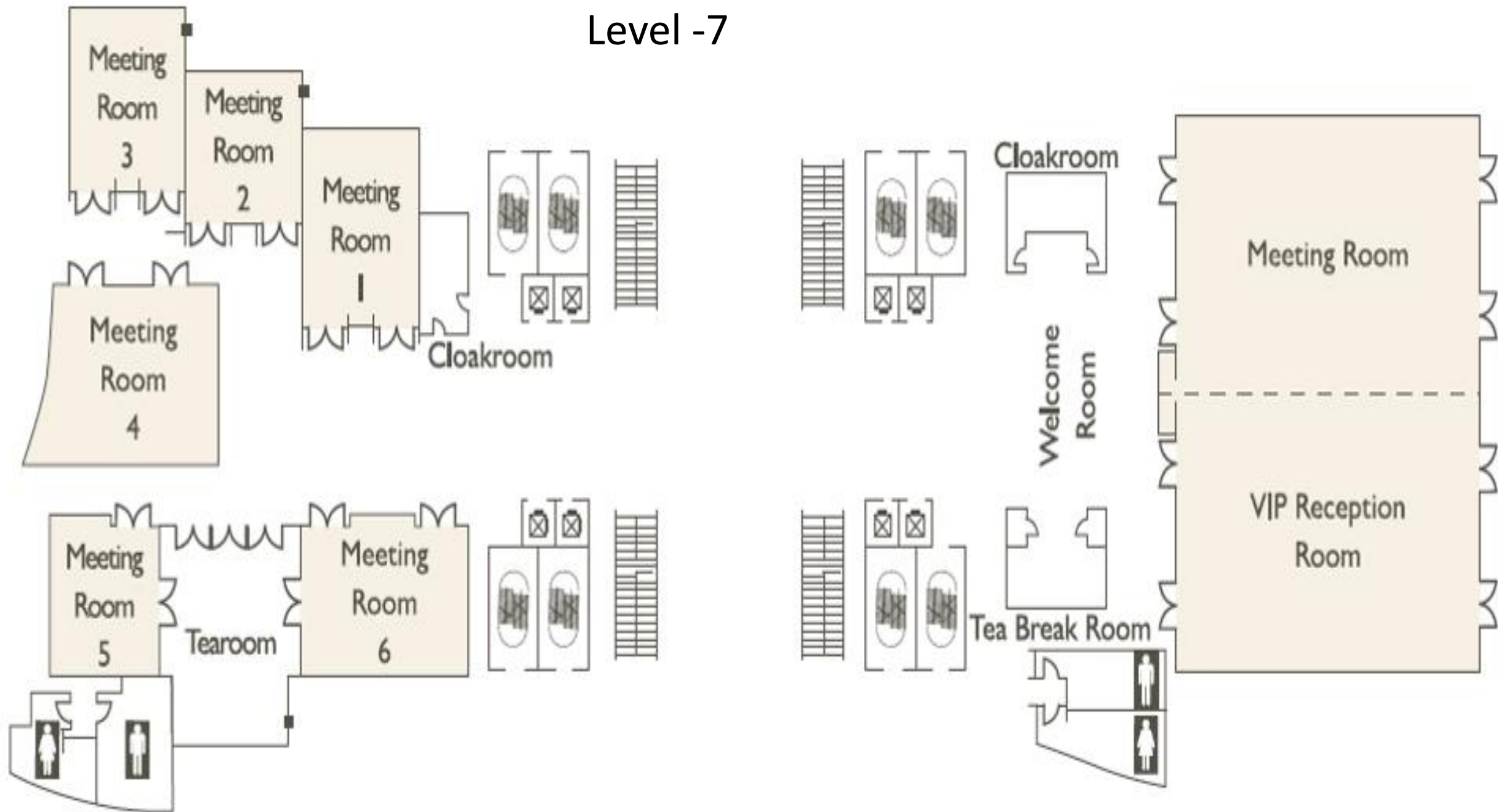
# Level -2



# Level -4



# Level -7



### TSNHA Hotel Banquet Capacity

Location	宴会厅名称	English Name	Area	Capacity				
				Theater	Round	Classroom	U-shape	Cocktail
B1 Hotel and Residences	会展区域	Exhibition Center	9,000	-	-	-	-	-
L2 Hotel	<b>金鸿大宴会厅</b>	<b>JinHong Grand Ballroom</b>	<b>1,300</b>	1600	750	950	260	1300
	* 金鸿大宴会厅1	JinHong Grand Ballroom 1	460	500	280	320	150	460
	* 金鸿大宴会厅2	JinHong Grand Ballroom 2	380	450	210	270	150	380
	* 金鸿大宴会厅3	JinHong Grand Ballroom 3	460	550	280	380	150	460
	* 金鸿大宴会厅1+2	JinHong Grand Ballroom 1+2	840	1000	490	650	180	840
	* 金鸿大宴会厅2+3	JinHong Grand Ballroom 2+3	840	1100	560	700	180	840
	金鸿大宴会厅前厅	Foyer of JinHong Grand Ballroom	-	-	-	-	-	-
L2 Residences	于家堡大报告厅	Yujiapu Grand Ballroom	<b>1,700</b>	2000	1200	1270	-	1700
	于家堡大报告厅前厅	Foyer of Yujiapu Grand Ballroom	-	-	-	-	-	-
	董事会议室	Board Room	210	Existing Boardroom Setup: 14pax				
	贵宾厅	VIP Meeting Room	210	Existing Sofa Setup: 14pax				
L4 Hotel	<b>多功能厅</b>	<b>Function Room</b>	<b>800</b>	950	560	700	160	800
	* 多功能厅 1	Function Room 1	400	440	240	250	80	400
	* 多功能厅 2	Function Room 2	200	190	120	120	45	200
	* 多功能厅 3	Function Room 3	200	190	120	120	45	200
	* 多功能厅 2+3	Function Room 2+3	400	440	240	250	80	400
	多功能厅前厅	Foyer of Function Room	-	-	-	-	-	-
L4 Residences	会议室 1	Meeting Room 1	130	-	-	-	-	-
	会议室 2	Meeting Room 2	130	-	-	-	-	-
	会议室 3	Meeting Room 3	250	-	-	-	-	-
	会议室 4	Meeting Room 4	250	-	-	-	-	-
L7 Hotel	会议室 1	Meeting Room 1	90	100	50	60	30	90
	会议室 2	Meeting Room 2	80	90	40	48	30	80
	会议室 3	Meeting Room 3	80	90	40	48	30	80
	会议室 4	Meeting Room 4	190	210	50	135	60	190
	会议室 5	Meeting Room 5	70	72	45	36	30	70
	<b>会议室 6</b>	<b>Meeting Room 6</b>	<b>100</b>	108	60	72	40	100
	* 会议室 6A	Meeting Room 6A	50	55	30	27	15	50
	* 会议室 6B	Meeting Room 6B	50	55	30	27	15	50
	茶室	Tea Room	-	-	-	-	-	-
	7层会议室前厅	Foyer of Level 7	-	-	-	-	-	-
L7 Residences	会议室	Meeting Room	340	-	-	-	-	-
	贵宾接待厅	VIP Meeting Room	340	-	-	-	-	-